

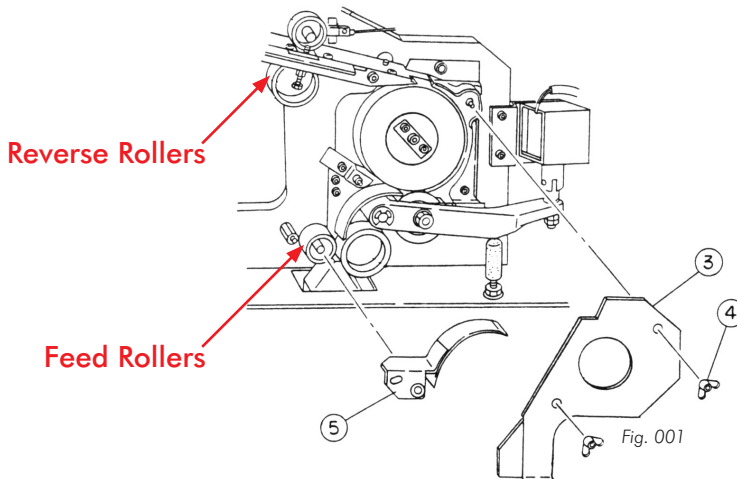
# STRAPACK RQ-8 AUTOMATIC

## Clearing Strap Jams

**WARNING: PLEASE PRESS THE EMERGENCY STOP BUTTON AND TURN OFF THE MAIN POWER SWITCH BEFORE ATTEMPTING TO CLEAR JAMMED STRAP**

If strap is jammed between the reverse rollers and feed rollers, and does not feed forward or reverse when using the selector switch on the operator panel, the following procedure must be carried out to remove jammed strap.

1. Open the front right hand (green) door of the machine and the inner pool chamber door (where the strap accumulates) this door is unpainted and will be plain silver or gold.
2. Hold the strap at the top of the pool chamber before where it enters the feed rollers above, then pull sharply downwards towards the floor to pull out or remove jammed strapping. If the strap does not move and cannot be pulled downwards, go to step 3.
3. Remove the front cover plate (3) by unscrewing the two wing nuts (4) as shown in Fig 001.



4. Pull off the strap feed band guide plate (5) and remove the jammed strap by pulling the strap downwards from the pool chamber, taking care to ensure that all pieces of strapping material are removed.
5. Clean the area around the strap guides and rollers and reassemble components in reverse order.